

the custom shade

BY INNOVATIVE OPENINGS

Battery Roller Shade Installation Instructions



Scan for electronic version
and videos

Contents

- 1.0 Overview 2
 - 1.1 Additional Motor Information 3
 - 1.2 Battery Charging Cables 3
- 2.0 Exposed Systems 4
 - 2.1 Exposed Brackets 4
 - 2.2 Bracket Location and Mounting 4
 - 2.3 Shade Installation 5
 - 2.4 Shade Removal 5
- 3.0 Cassette 6
 - 3.1 Cassette Mounting Brackets 6
 - 3.2 Shade Installation 6
 - 3.3 Shade Removal 6
- 4.0 Fascia 7
 - 4.1 Fascia Brackets 7
 - 4.2 Bracket Location and Mounting 8
 - 4.3 Shade Installation 9
 - 4.4 Shade Removal 10
 - 4.5 Fascia Installation 10
 - 4.6 Fascia Removal 10
- 5.0 Motor Programming 11
- 6.0 Modifying Motor Rotation 12
- 7.0 Adjusting End Limits 13
 - 7.1 Adjusting Upper Limit 13
 - 7.2 Adjusting Lower Limit 13
- 8.0 Favorite (MY) Position 14
 - 8.1 Setting /Modifying /Deleting MY Position 14
 - 8.2 Using Favorite (MY) Position 14
- 9.0 Adding/Deleting Channels 15
 - 9.1 Adding Channels 15
 - 9.2 Deleting Channels 16
 - 9.3 Deleting All Channels from Motor 16
- 10.0 Deactivate Mode & Sleep Mode 17
- 11.0 Complete Factory Reset 18
 - 11.1 Factory Reset Motor 18
 - 11.2 Pair Transmitter 18
 - 11.3 Check Motor Rotation 18
 - 11.4 Setting the Upper Limit 19
 - 11.5 Setting the Lower Limit 19
 - 11.6 Confirming the Limits 19
- 12.0 Troubleshooting 20
 - 12.1 Telescoping 20
 - 12.2 Losing a fabric wrap 20



Battery Roller Shade Installation Instructions

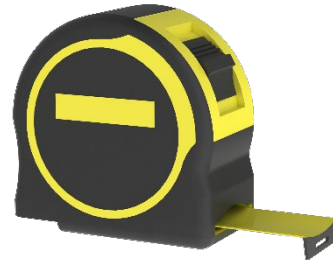
1.0 Overview

The following installation instructions are for The Custom Shade's battery motorized shades. The hardware options available are: Exposed, Cassette, and Fascia. Battery shades come fully assembled and ready for installation. The type and size of screw required are project specific and will vary depending upon the mounting surface.

1.1 Tools Needed



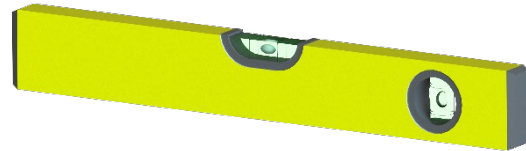
Drill with appropriate attachments



Tape Measure



Flat Head Screwdriver

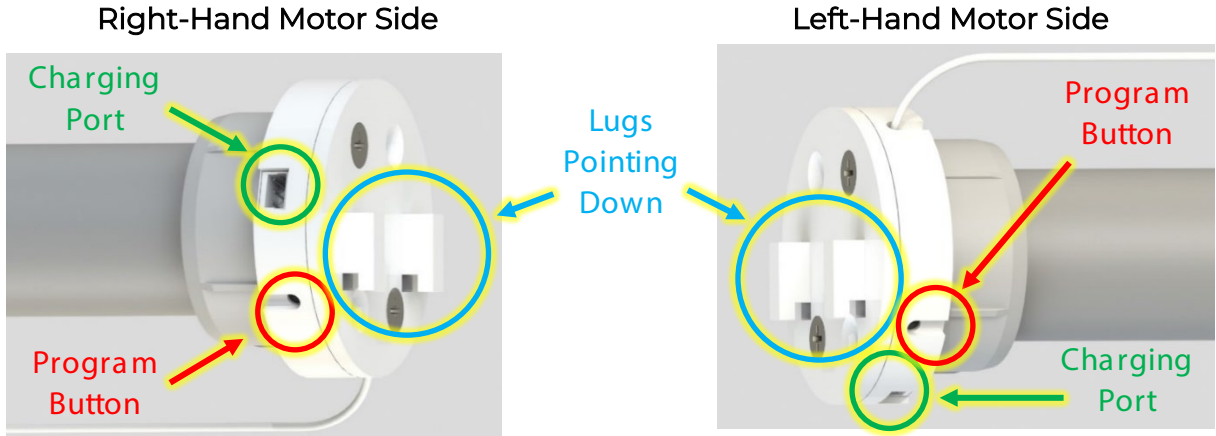


Level

Battery Roller Shade Installation Instructions

1.2 Additional Motor Information

1.2.1 Motor Orientation



1.2.2 Battery Charging Cables

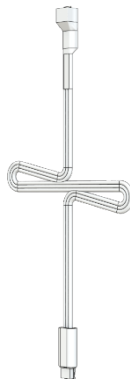
The motor battery is fully charged prior to shipment but will need to be woken up once installed. Refer to section 5.0 for more details.

All orders will include at least one charger. All fascia and cassette shades will include an 8" extension cable for easy charging. The metal contacts of the connector must face toward the motor bracket side during insertion into the charge port.

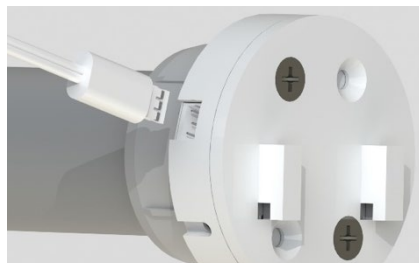


Li-ion Charger
76" long cable

Plugs directly into the common electrical outlet



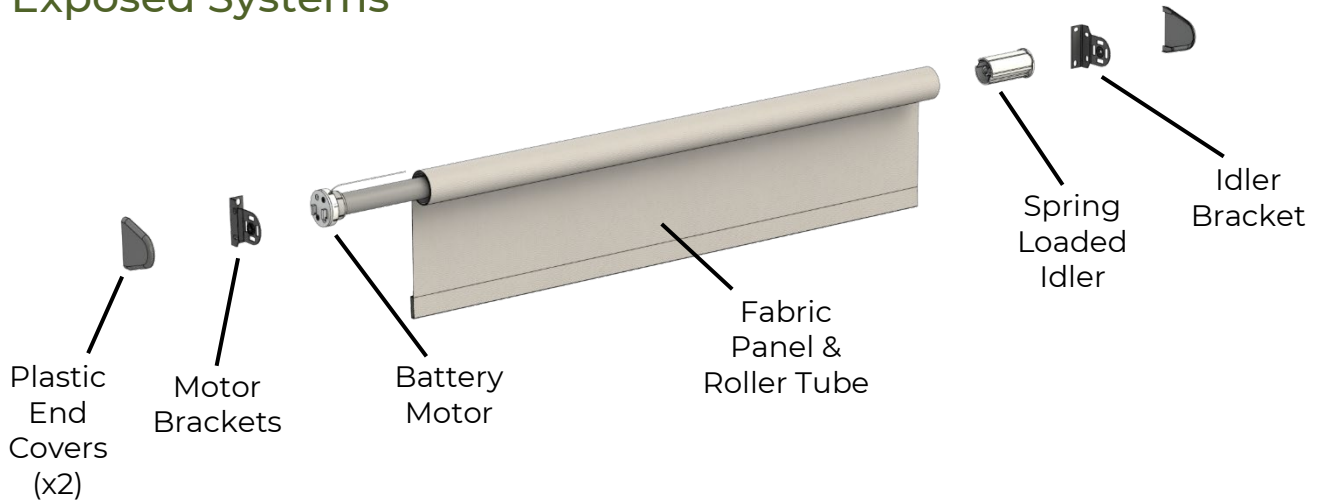
Extension Cable
8" long cable is included with all Fascia and Cassette shades



Cable Orientation
Cable can only be inserted in one orientation (metal contacts must face toward the motor bracket side)

Battery Roller Shade Installation Instructions

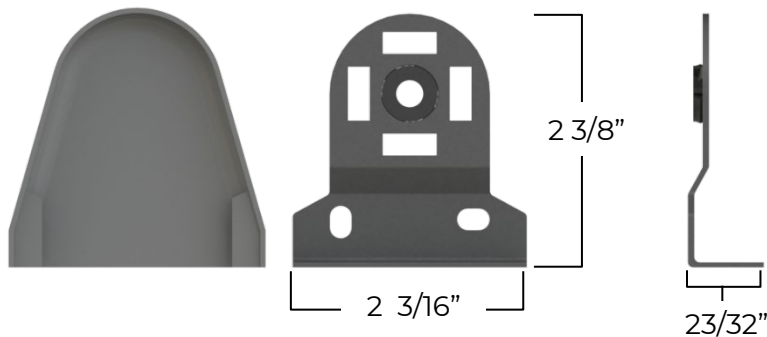
2.0 Exposed Systems



2.1 Exposed Brackets

Motor and Idler brackets are identical. These brackets can be used for both ceiling and wall mount applications.

Optional plastic end caps are available, but keep in mind adding both plastic end caps add a total of $\frac{3}{16}$ " to the bracket-to-bracket distance.



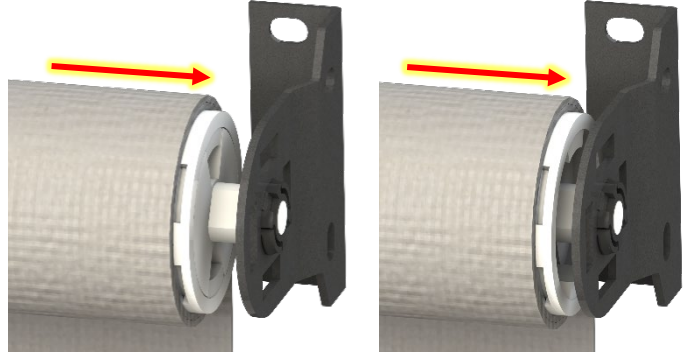
2.2 Bracket Location and Mounting

Confirm the operator side of the shade. Mark the location of the brackets noting that the bracket-to-bracket width equals the shade order width. For proper shade operation, brackets must be mounted perfectly level. Verify using a level.

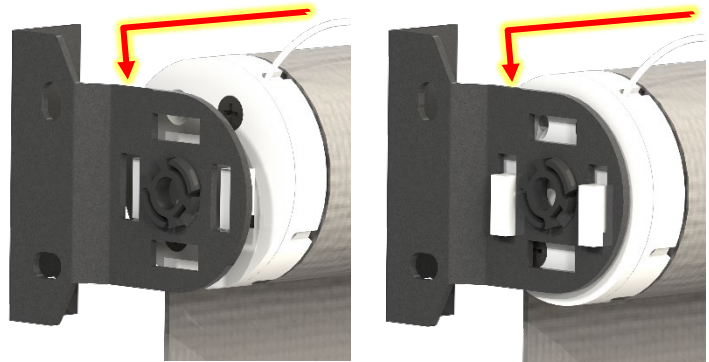
Battery Roller Shade Installation Instructions

2.3 Shade Installation

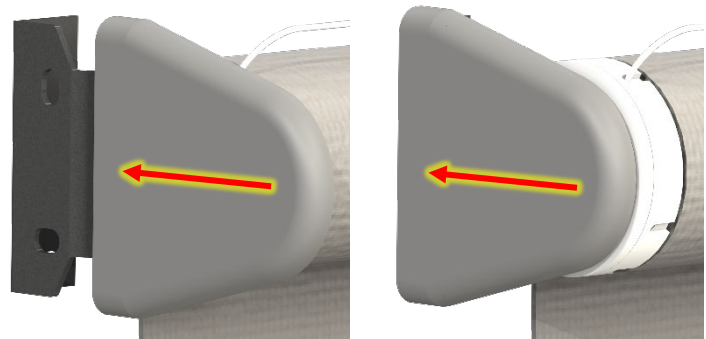
1. Install the shade by carefully inserting the idler pin into the idler bracket and compress the idler so the motor head bypasses the motor bracket.



2. Align the motor head adapter lugs to fit into the rectangular slots in the bracket. Push down on the motor head adapter to ensure the lugs are fully seated in the slots.



3. If applicable, install the bracket covers by simply sliding the cover over the bracket.



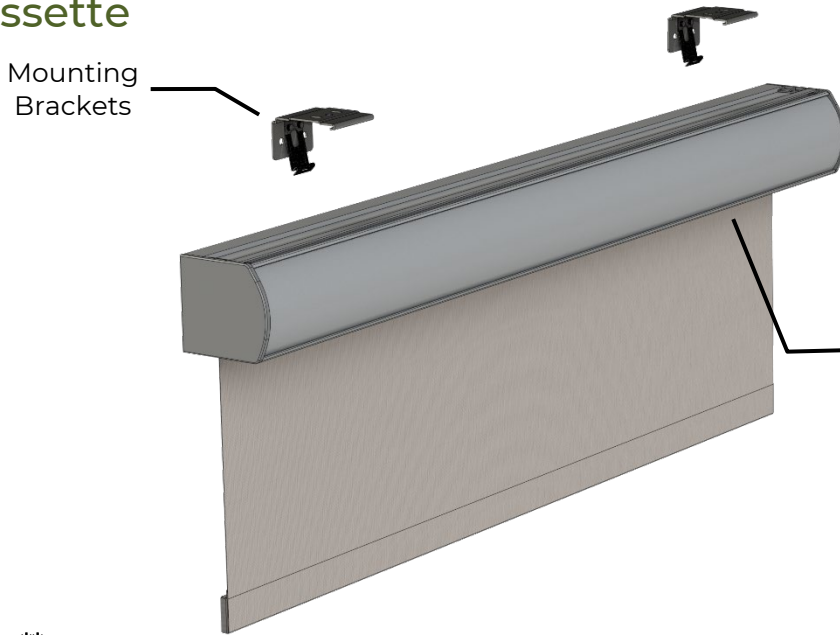
For Shade Programming, please go to section 5.0

2.4 Shade Removal

To remove the shade, begin by lifting the motor head so the adapter lugs are not fully seated. Move the shade toward the idler to compress the idler enough so that the motor head adapter lugs can swing by the motor bracket. Remove the idler pin from the idler bracket.

Battery Roller Shade Installation Instructions

3.0 Cassette



Assembled Cassette

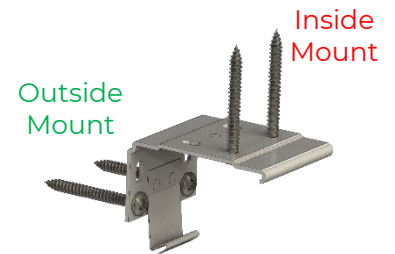
Cassette Housing,
Plastic End Caps,
Battery Motor,
Fabric Panel
&
Roller Tube

****Antenna****

Prior to shipment, the antenna is inserted in a ridge inside of the cassette to keep it hidden.

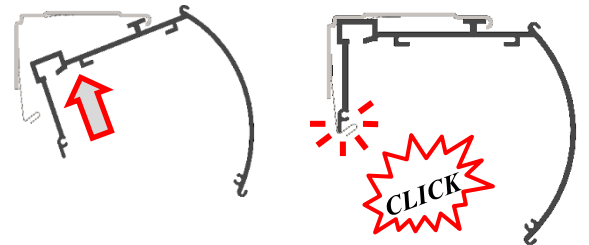
3.1 Cassette Mounting Brackets

Cassette systems are shipped fully assembled. These systems utilize mounting brackets that can be mounted for inside or outside mount. Mount two outer brackets roughly 2" in from the end. On wider units install center bracket(s) supplied.



3.2 Shade Installation

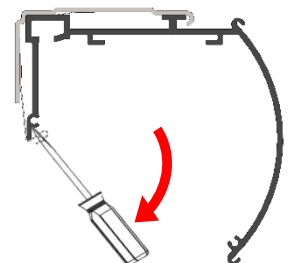
Hook the top of the extrusion into the front of the mounting brackets as shown. Rotate the back bottom corner of the cassette up and snap into the brackets.



For Chain Guide Installation and Setting Shade Limits, please go to section 5.0

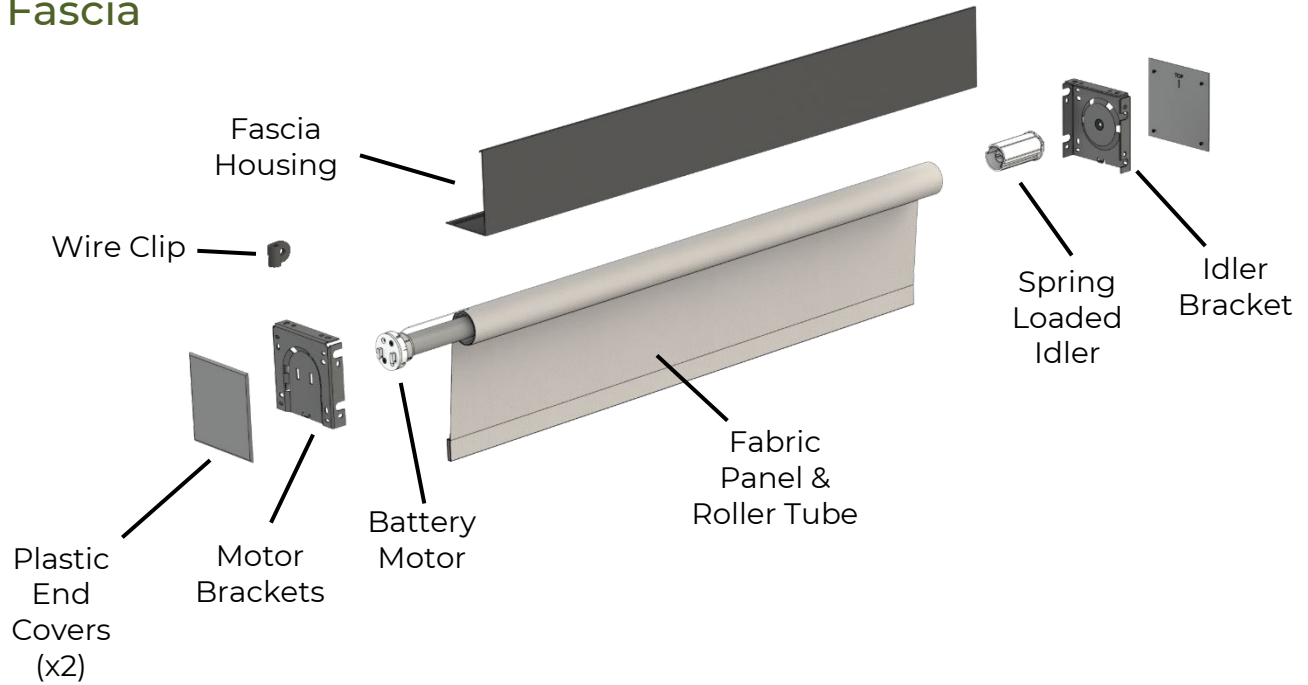
3.3 Shade Removal

To remove cassette, insert a flat head screwdriver into the mounting bracket slot, then rotate back to release the cassette.



Battery Roller Shade Installation Instructions

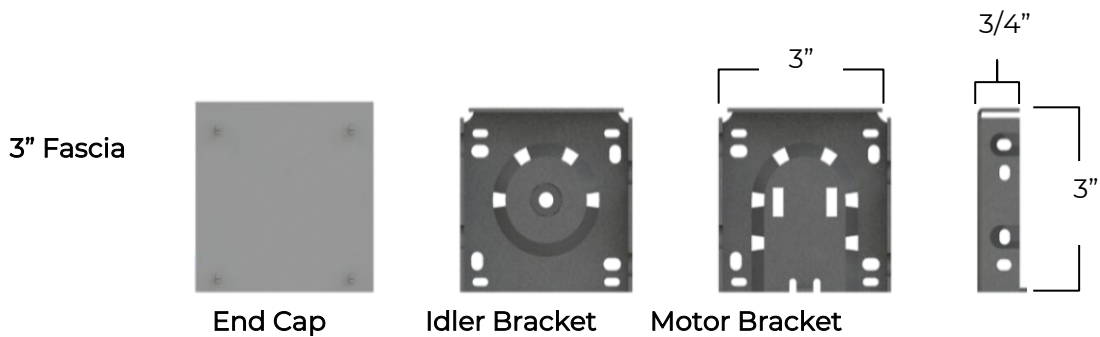
4.0 Fascia



4.1 Fascia Brackets

Motor and Idler brackets are different for this system so be sure to mount the motor bracket on the operator side that is noted in the order. These brackets can be used for both ceiling and wall mount applications.

Optional plastic end caps are available, but keep in mind adding both plastic end caps add a total of 1/4" to the bracket-to-bracket distance.

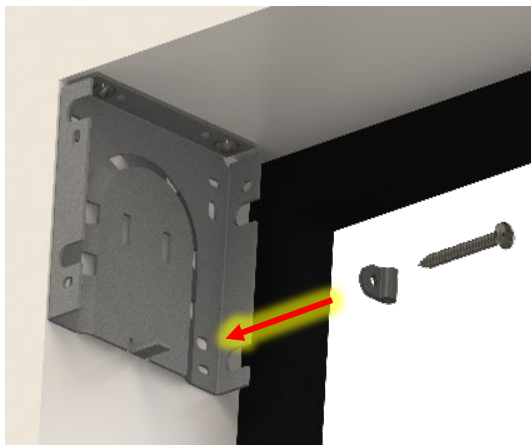


Battery Roller Shade Installation Instructions

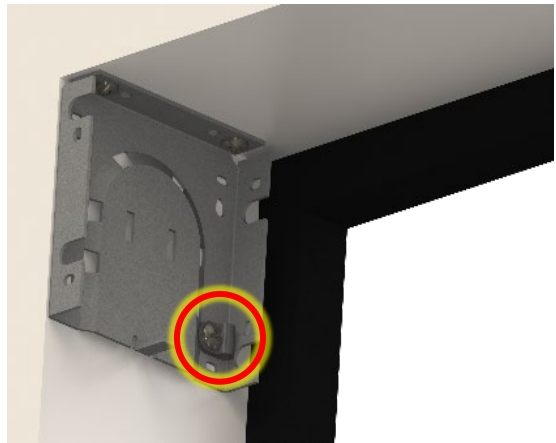
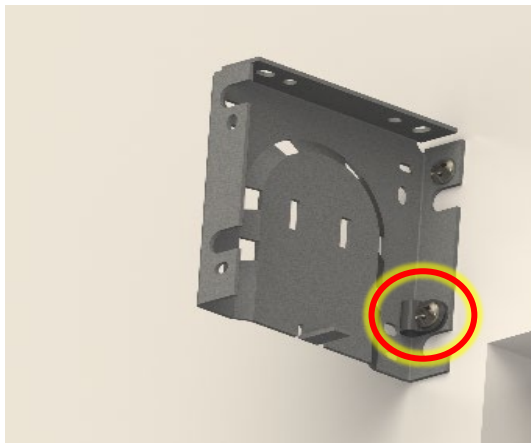
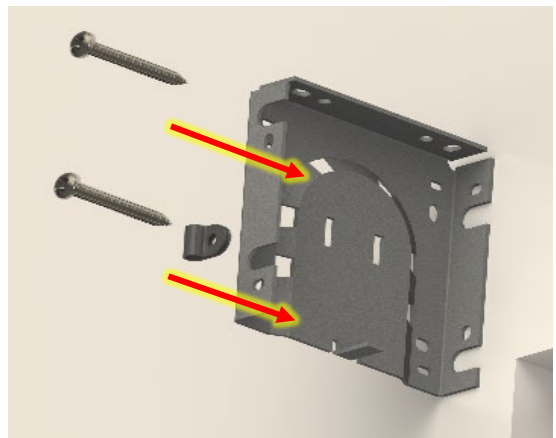
4.2 Bracket Location and Mounting

Confirm the operator side of the shade. Mark the location of the brackets noting that the bracket-to-bracket width equals the shade order width. For proper shade operation, brackets must be mounted perfectly level. Verify using a level. Mount the wire clip provided to the motor side fascia bracket as shown to secure the antenna and 8" extension if applicable. The wire clip should be mounted so it is still accessible after the fascia front cover is installed.

Inside Mount

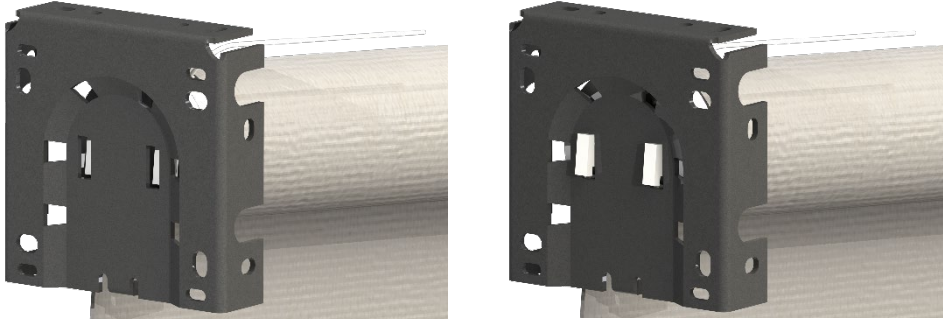


Outside Mount

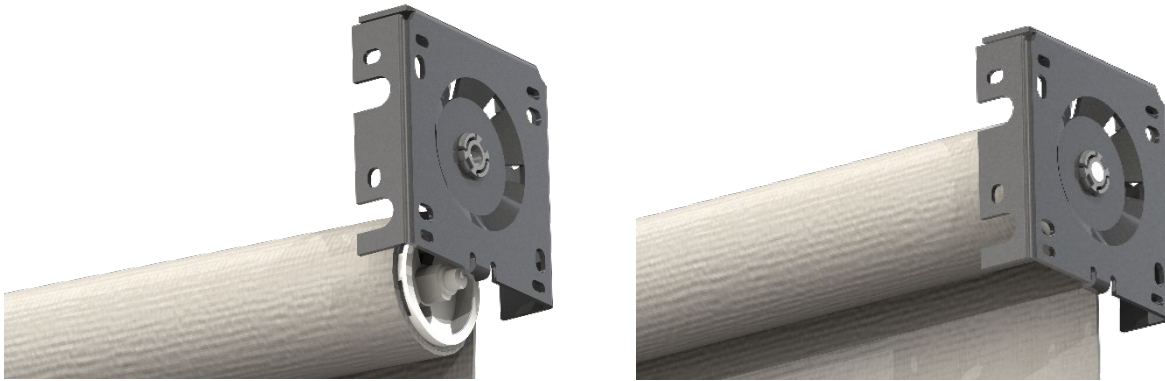


4.3 Shade Installation

1. Install the shade motor side first by aligning the adapter lugs to fit into the rectangular slots in the bracket.



2. Then compress the idler pin by hand and carefully insert the idler pin into the plastic bushing. *Be very careful: The plastic bushing can be damaged when decompressing the idler. The idler spring can exert enough force to break the plastic bushing in the idler bracket.*



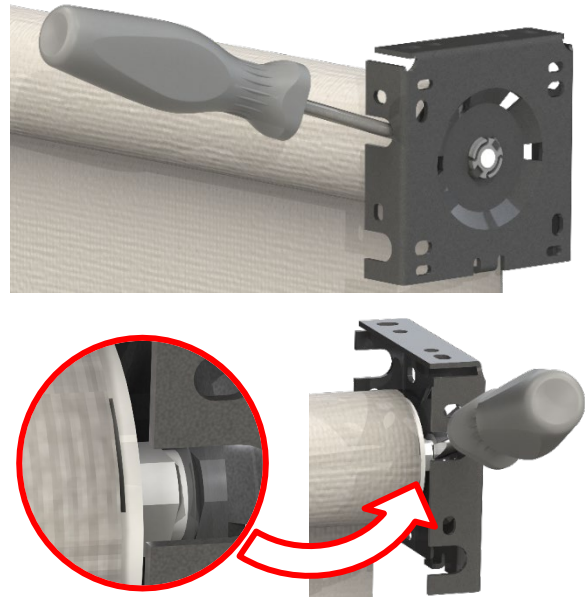
Antenna

Ensure the antenna does not contact the shade fabric. The antenna can be tucked into the motor wire clip to prevent it from rubbing on the shade and will not impact radio transmission.

Battery Roller Shade Installation Instructions

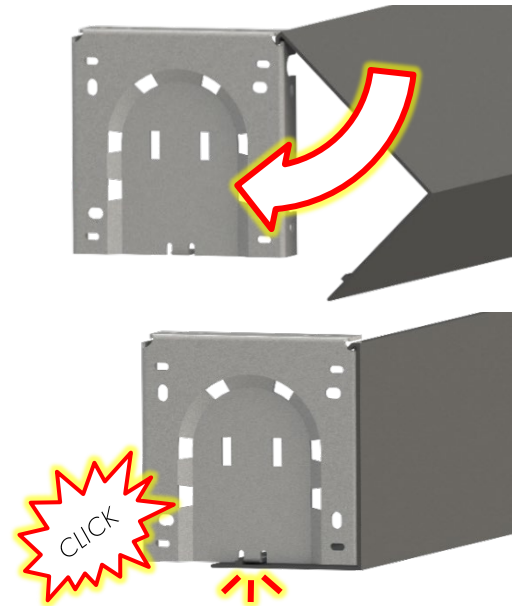
4.4 Shade Removal

1. The idler pin is stepped so there is a small flat area that will accept a flat head screwdriver. Carefully wedge the screwdriver between the idler and the bracket.
2. Maintain pressure against the idler pin while moving the shade down and away from the plastic bushing.
Be very careful: The idler spring can exert enough force to break the plastic bushing in the idler bracket.
3. Lift the motor side of the shade so the motor head adapter lugs are out of the bracket and remove the shade.



4.5 Fascia Installation

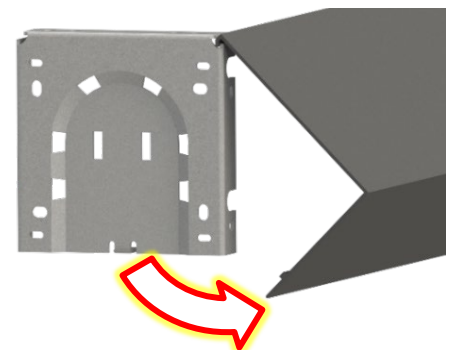
1. Ensure both the 8" extension cable and antenna are secured in the wire clip and won't interfere or be damaged when the shade is operating.
2. Insert fascia into the top lip of both brackets. Push fascia toward the back of the lower part of the bracket. The fascia snaps onto the tang of both brackets. If the fascia is not secure, check the tang to ensure it is not bent. If necessary, carefully bend the tang down so the fascia engages with the tang.
3. For outside mount, secure the end caps.



For Shade Programming, please go to section 5.0

4.6 Fascia Removal

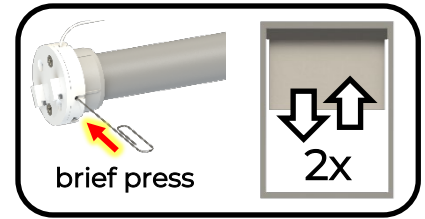
Remove the fascia by pulling down on the bottom flap of the fascia near the brackets to ease the fascia over the edge of each bracket. Carefully remove the fascia and place on a scratch resistant surface.



5.0 Motor Programming

5.1 Wake Up Motor

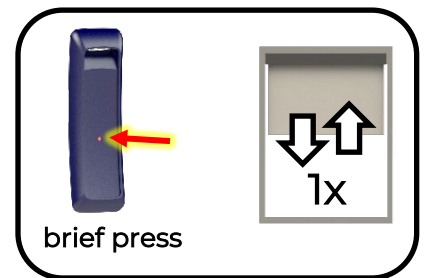
To wake up the Li-ion embedded motors, briefly and lightly press the **PROGRAM** button on the motor head using a paper clip. The shade will briefly jog up and down two (2) times.



5.2 Pair Transmitter to Motor

For multi-channel transmitters: Ensure your transmitter is on the channel you wish the shade to be added to before proceeding.

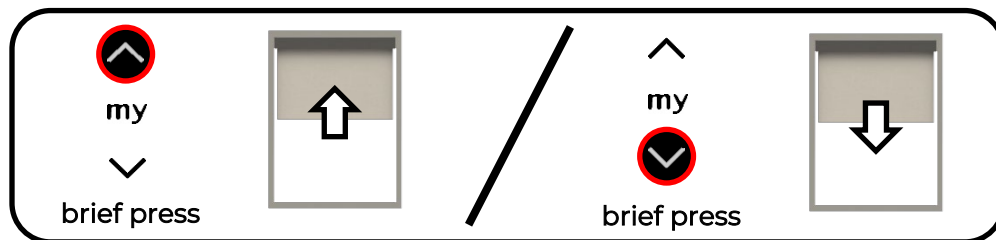
Briefly press the **PROGRAM** button on the transmitter. The shade will briefly jog up and down one (1) time. The shade is now paired with the selected channel on the transmitter.



5.3 Check Shade Operation

Your shade should be shipped with pre-set limits, use the **UP** and **DOWN** buttons on the transmitter to verify that the end limits are set to the desired positions.

- If your shade's end limits do not need any adjusting, your shade is completely programmed.
- If your shade moves while the **UP** or **DOWN** buttons are pressed and stops when the button is released, skip to section **11.0 Complete Factory Reset**.
- If your shade moves to the opposite end limit (Ex. you press the **UP** button on the transmitter, but the shade moves to the lower end limit), proceed to section **6.0 Modifying Motor Rotation**.
- If you need to adjust the end limits, skip to section **7.0 Adjusting End Limits**.



Battery Roller Shade Installation Instructions

6.0 Modifying Motor Rotation

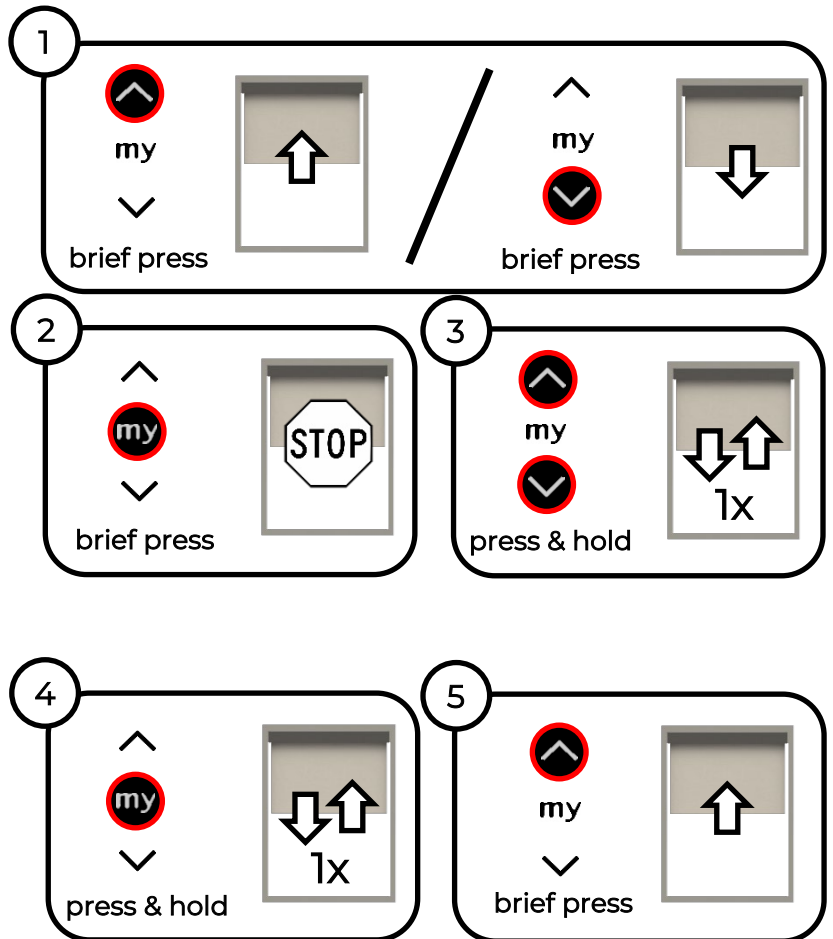
Use the **UP** or **DOWN** button on the transmitter to move the shade away from the upper and lower limits. Use the **MY** button on the transmitter to stop the shade at any position that is not the upper or lower limit.

Use the **UP** or **DOWN** button on the transmitter to move the shade away from the upper and lower limits. Use the **MY** button on the transmitter to stop the shade at any position that is not the upper or lower limit.

When the shade stops, press and hold the **UP** and **DOWN** simultaneously until the shade jogs up and down one (1) time.

Press and hold the **MY** button on the transmitter until the shade jogs up and down one (1) time.

Press the **UP** button on the transmitter to check the new rotation direction. If the shade moves in the correct direction, this step is completed. If not, repeat this step.



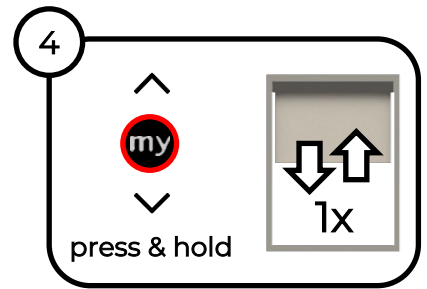
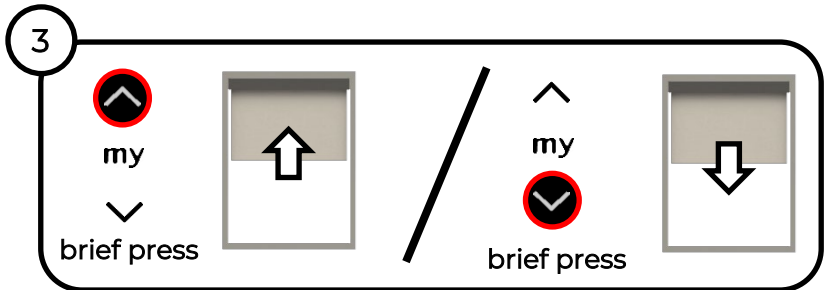
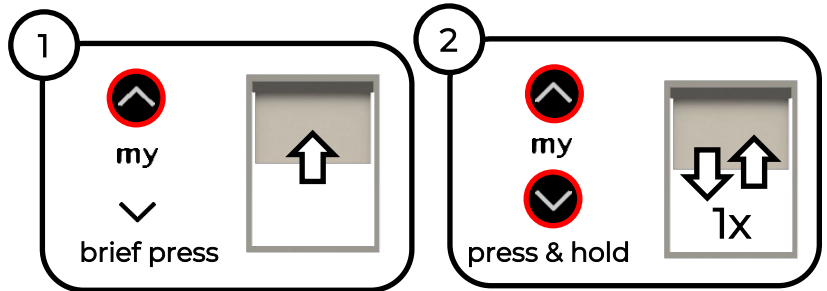
Battery Roller Shade Installation Instructions

7.0 Adjusting End Limits

7.1 Adjusting Upper Limit

Briefly press the **UP** button on the transmitter, the shade will move to the previously set upper limit. When the shade stops at the upper limit, press and hold the **UP and DOWN** buttons on the transmitter simultaneously until the shade jogs up and down one (1) time.

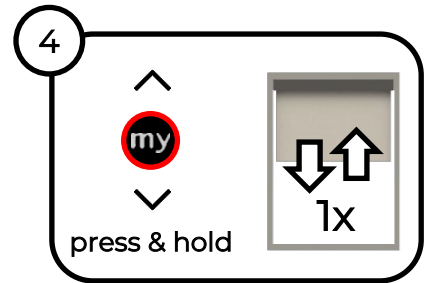
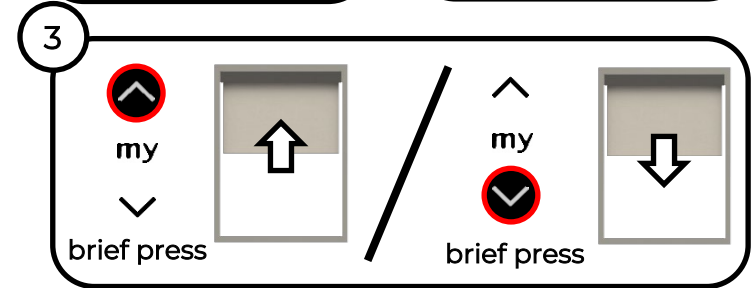
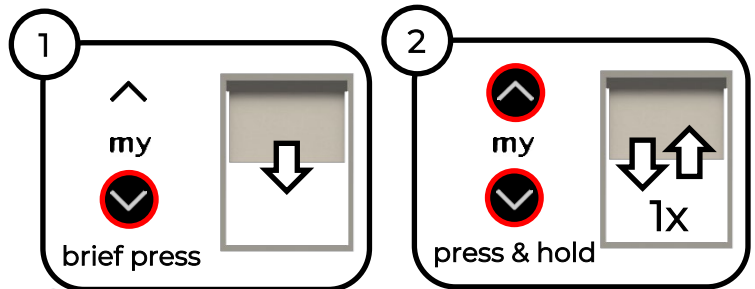
Use the **UP** or **DOWN** button on the transmitter to move the shade to the desired new upper limit position. When the shade is at the desired upper limit position, press and hold the **MY** button on the transmitter until the shade briefly moves up and down one (1) time.



7.2 Adjusting Lower Limit

Briefly press the **DOWN** button on the transmitter, the shade will move to the previously set lower limit. When the shade stops at the lower limit, press and hold the **UP and DOWN** buttons on the transmitter simultaneously until the shade jogs up and down one (1) time.

Use the **UP** or **DOWN** button on the transmitter to move the shade to the desired new lower limit position. When the shade is at the desired lower limit position, press and hold the **MY** button on the transmitter until the shade briefly moves up and down one (1) time.



8.0 Favorite (MY) Position

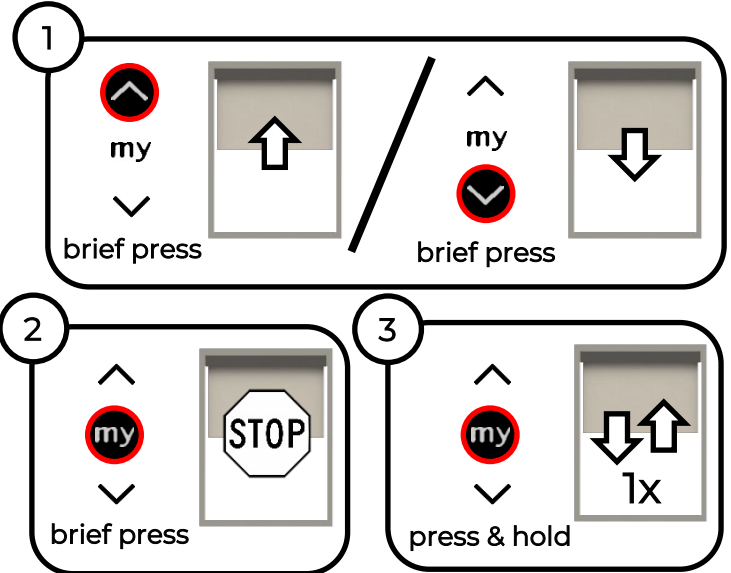
8.1 Setting /Modifying /Deleting MY Position

Use the **UP** and **DOWN** buttons on the transmitter to move the shade to the desired favorite position. Briefly press the **MY** button on the transmitter to stop the shade at the desired position.

When the shade is stopped, press and hold the **MY** button on the transmitter until the shade jogs up and down one (1) time to confirm the new favorite (MY) position.

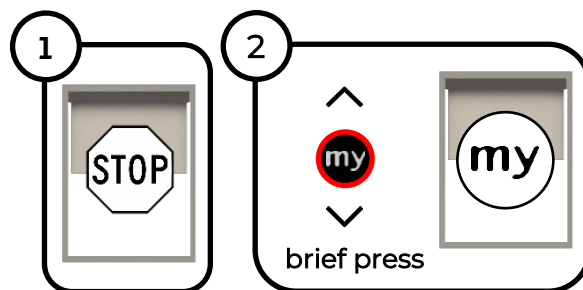
To modify the favorite (MY) position, repeat the process. The newly set favorite (MY) position will replace the old one.

Delete the favorite (MY) position: When the shade is stopped, briefly press the **MY** button on the transmitter to move the shade to the current favorite (MY) position. Allow the shade to move all the way to the favorite (MY) position, then press and hold the **MY** button on the transmitter. The shade will jog up and down one (1) time to confirm the deletion.



8.2 Using Favorite (MY) Position

Briefly press the **MY** button on the transmitter when the shade is stationary. The shade will then move to the programmed favorite (MY) position.



Battery Roller Shade Installation Instructions

9.0 Adding/Deleting Channels

9.1 Adding Channels

Adding a New Transmitter

Transmitter (A) is already paired to the shade.

Transmitter (B) is the new transmitter you want to control the shade.

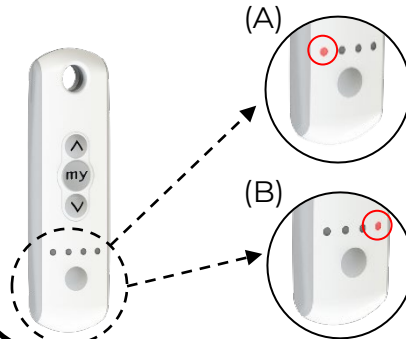


Adding a New Channel

Both (A) and (B) are on the same transmitter.

Channel (A) is the channel that is already paired to the shade.

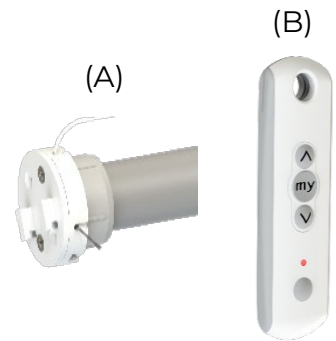
Channel (B) is the new channel you want to control the shade.



Using Motor Head to Add a New Transmitter

Motor head (A) is the motor of the shade.

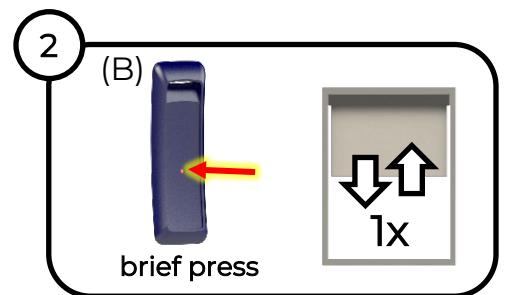
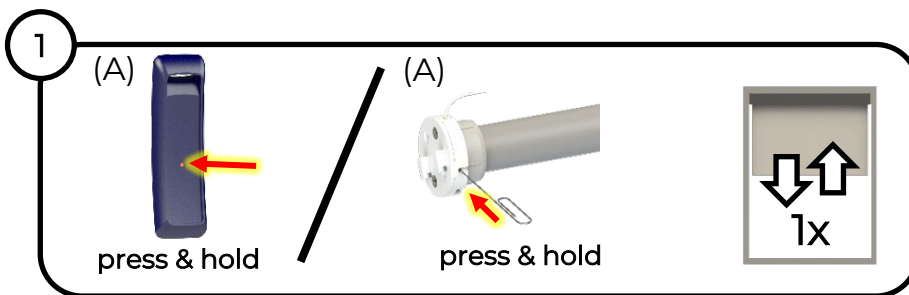
Transmitter (B) is the new transmitter you want to control the shade.



Using (A) that has been previously paired to the shade or is the motor head of the shade and the new (B) that is being added to control the shade.

Press and hold the **PROGRAM** button on (A) until the shade jogs up and down one (1) time. The motor is now searching for a new transmitter to add.

Briefly press the **PROGRAM** button on the back of (B). The shade will jog up and down one (1) time and (B) is now paired.



Battery Roller Shade Installation Instructions

9.2 Deleting Channels

Deleting a Transmitter

Transmitter (A) is the transmitter you want to stay paired to the shade.

Transmitter (B) is the transmitter you want to delete from the shade.

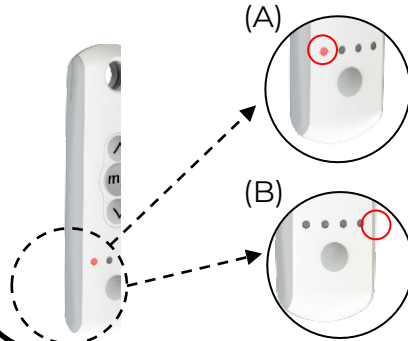


Deleting a Channel

Both (A) and (B) are on the same transmitter.

Channel (A) is the channel you want to stay paired to the shade.

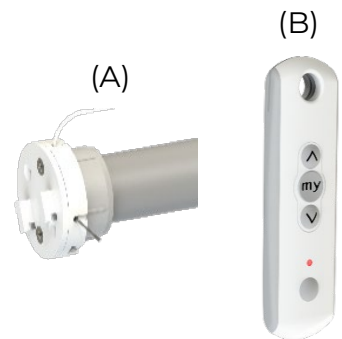
Channel (B) is the channel you want to delete from the shade.



Using Motor Head to Delete a Transmitter

Motor head (A) is the motor of the shade.

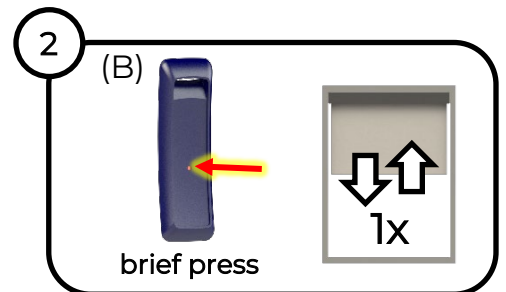
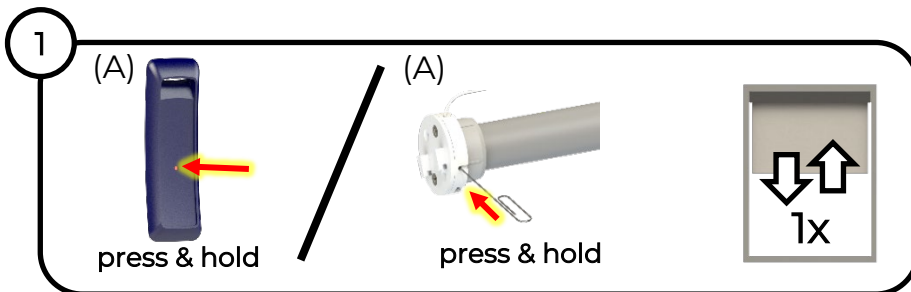
Transmitter (B) is the transmitter you want to delete from the shade.



Using (A) that has been previously paired to the shade or is the motor head of the shade and (B) that is also paired to the shade, but needs to be deleted.

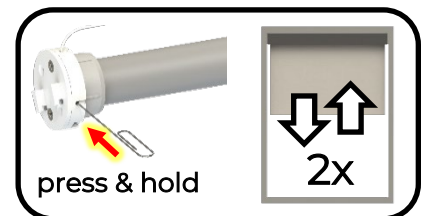
Press and hold the **PROGRAM** button on (A) until the shade jogs up and down one (1) time.

Briefly press the **PROGRAM** button on the back of (B). The shade will jog up and down one (1) time and (B) is now deleted.



9.3 Deleting All Channels from Motor

To delete all of the paired transmitters, press and hold the **PROGRAM** button on the motor head until the shade jogs up and down two (2) times. All the paired transmitters are deleted.



Battery Roller Shade Installation Instructions

10.0 Deactivate Mode & Sleep Mode

These modes are very useful when pairing multiple shades to a single channel on a transmitter. Think through the programming process for your application before you begin programming any motors. The Custom Shade strongly recommends that all applications use Deactivate mode to eliminate the possibility of the shade waking up and interfering with the pairing process.

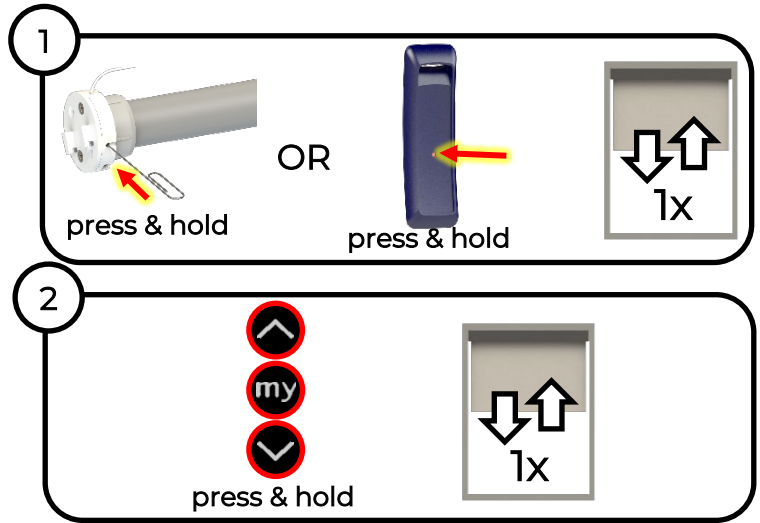
Deactivate mode will deactivate the shade (it will not respond to any paired transmitters) until it is re-activated.

Temporary sleep mode will deactivate the shade (it will not respond to any paired transmitters) for 15 minutes, after the 15 minutes it will time out of sleep mode and will respond to any paired transmitters.

10.1 Deactivate Mode

Press and hold the **PROGRAM** button on the motor head or on the paired transmitter until the shade jogs up and down one (1) time. This will place the motor in programming mode.

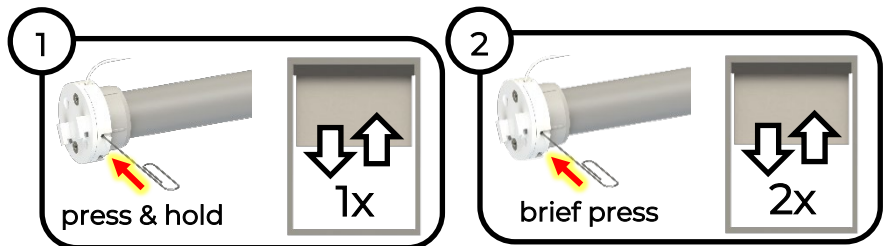
Press and hold the **UP, MY and DOWN** buttons simultaneously on the paired transmitter until the shade jogs up and down one (1) time.



10.2 Temporary Sleep Mode

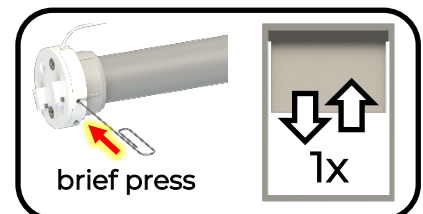
Press and hold the **PROGRAM** button on the motor head until the shade jogs up and down one (1) time.

Briefly press the **PROGRAM** button on the motor head. The shade will jog up and down two (2) times. All the paired transmitters will not control the shade. After 15 minutes the shade will jog up and down one (1) time to indicate it is out of sleep mode.



10.3 Re-Activating Motors

If you want to re-activate the motor(s) (take the motors out of deactivate mode or out of temporary sleep mode before the 15 minute time out), briefly press the **PROGRAM** button on the motor head. The shade will jog up and down one (1) time. All the previously paired transmitters will now control the shade.

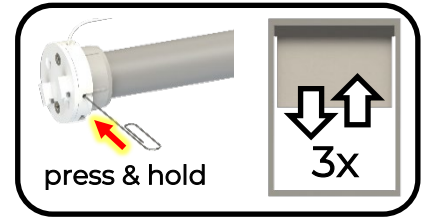


Battery Roller Shade Installation Instructions

11.0 Complete Factory Reset

11.1 Factory Reset Motor

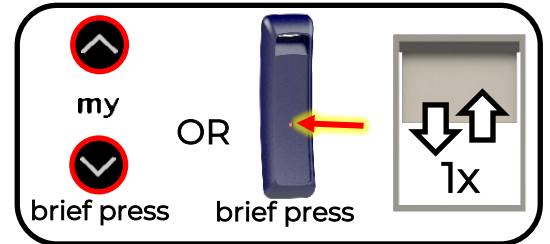
To factory reset the motor, press and hold the **PROGRAM** button on the motor head until the shade jogs up and down three (3) times. All the motor settings are erased.



11.2 Pair Transmitter

If using a multi-channel transmitter, ensure your transmitter is on the channel you wish the shade to be added before proceeding.

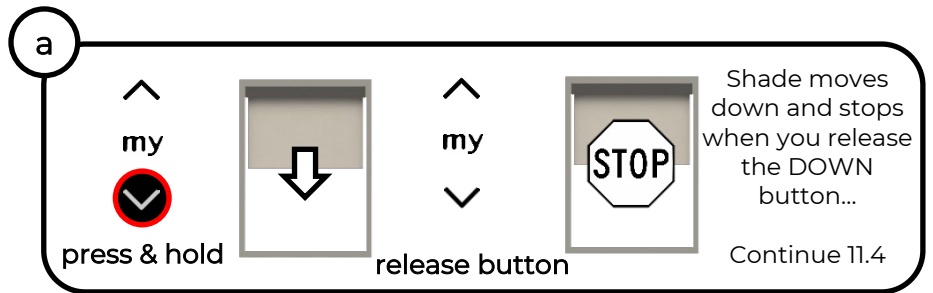
Briefly press the **PROGRAM** button on the transmitter. The shade will briefly jog up and down one (1) time. The shade is now paired with the selected channel on the transmitter.



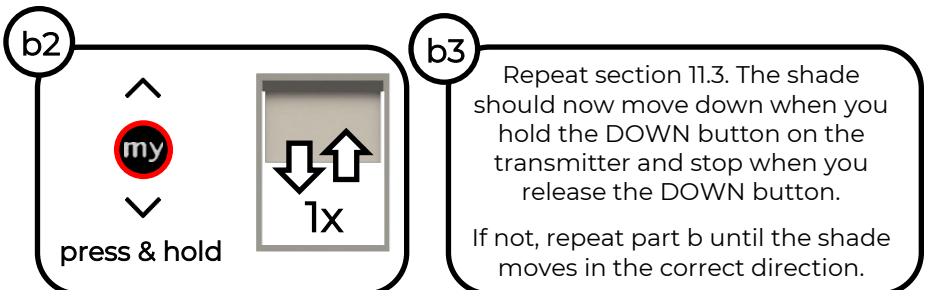
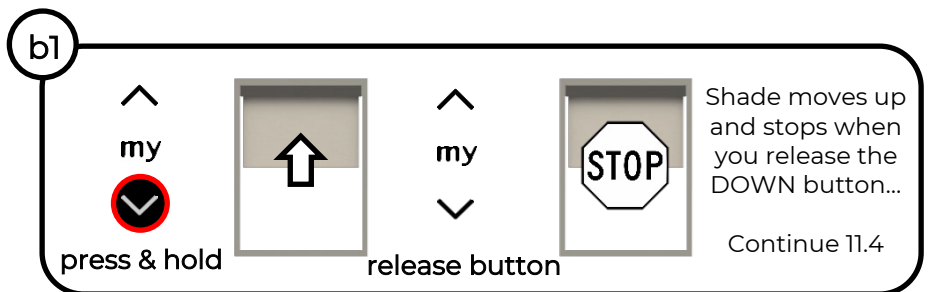
11.3 Check Motor Rotation

Press and hold the **DOWN** button on the transmitter.

a.) If the shade moves down while holding the **DOWN** button and stops when you release the **DOWN** button, then the motor rotation is correct, continue to section 11.4.



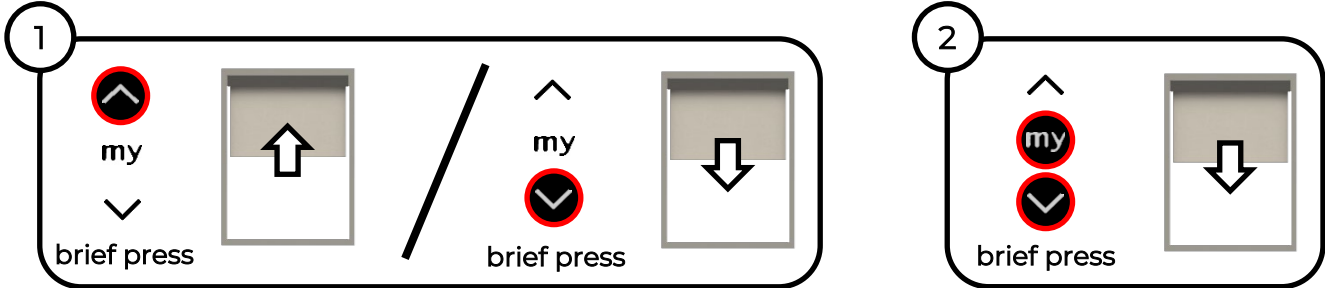
b.) If the shade moves up when you hold the **DOWN** button and stops when you release the **DOWN** button, then press and hold the **MY** button until the shade briefly jogs up and down one (1) time. Briefly press the **DOWN** button on the transmitter again to confirm the shade moves down and stops when you release the **DOWN** button. Proceed to the next step.



Battery Roller Shade Installation Instructions

11.4 Setting the Upper Limit

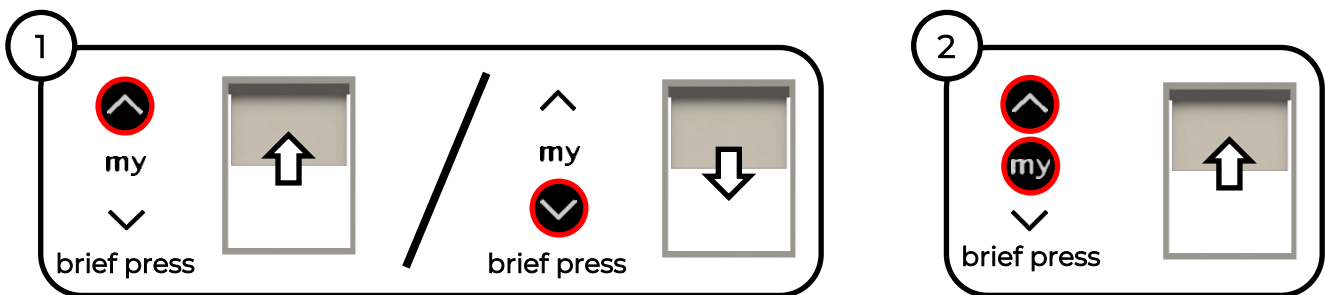
Use the **UP** and **DOWN** buttons on the transmitter to position the shade at the desired upper limit. When the desired upper limit position is reached, briefly press the **MY** and **DOWN** buttons simultaneously to memorize the upper limit position. The shade will begin to move down to the lower limit.



11.5 Setting the Lower Limit

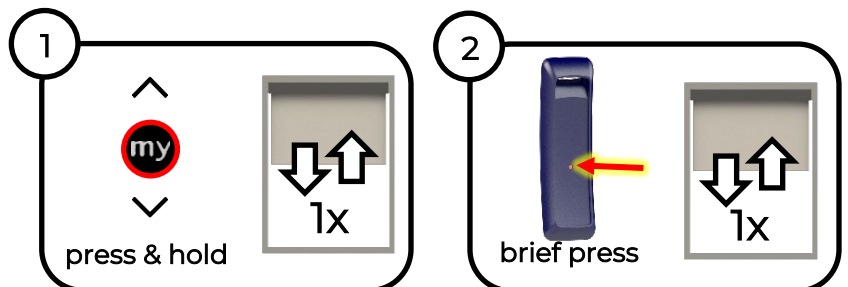
Allow the shade to continue moving down to the lower limit, if the shade passes the desired lower limit use the **MY** button to stop the shade and then use the **UP** and **DOWN** buttons to position the shade at the desired lower limit. Briefly press the **UP** and **MY** buttons simultaneously on the transmitter to memorize the lower limit. The shade will move back up to the upper limit that was set in the previous step.

IMPORTANT: Allow the shade to roll all the way up to the upper limit and stop before pressing any buttons on the transmitter.



11.6 Confirming the Limits

To confirm both limits, press and hold the **MY** button. The shade will briefly jog up and down one (1) time. To finalize and exit the limit setting program, briefly press the **PROGRAM** button on the back of the remote. The shade will briefly move up and down one (1) time.



12.0 Troubleshooting

12.1 Telescoping

Fabric telescoping is excessive horizontal movement of fabric while shade rolls up on the tube. Shades are tested and fabric telescoping is adjusted prior to shipment, but additional adjustments may be required depending on each specific application.

1. If fabric adjustments are required, roll the shade all the way down so the tube is exposed (this will require removal of shade from brackets).
2. Place a piece of masking or duct tape, 2"-4" in length, near the edge of the tube on the side opposite of the direction the fabric is moving.
3. Operate the shade up and down a few times. If the shade still telescopes, repeat the process. The correct amount of tape can only be determined by trial and error. Re-set the lower limit after completing shade adjustments.



12.2 Losing a fabric wrap

Losing a fabric wrap is when the fabric starts to hang significantly lower than the upper and lower limits that have been set. This can occur if the shade is raised too quickly or if the fabric catches on an obstruction while being lowered. Luckily, this is an easy fix.

You will need to remove the fascia (if applicable) and roll the shade all the way up to the upper limit. Then take the extra fabric and wrap it around the tube in the same direction that the fabric naturally rolls. If the fabric still hangs lower than the original upper and lower limits, repeat this process until corrected.