

Cordless Roller Shade
Installation Instructions



Scan for electronic version
and videos

Contents

1.0 Overview 2

 1.1 Tools Needed 2

2.0 Exposed Systems 3

 2.1 Exposed Bracket Location and Mounting 3

 2.2 Mounting Bracket Orientation 4

 2.3 Shade Installation 4

 2.4 Shade Removal 4

3.0 Cassette 5

 3.1 Cassette Mounting Brackets 5

 3.2 Shade Installation 5

 3.3 Shade Removal 5

4.0 Roll Up Speed Adjustment 6

5.0 Upper Limit Adjustment 6

6.0 Hem Bar Grip Installation 7

7.0 Troubleshooting 7

 7.1 Telescoping 7

 7.2 Losing a fabric wrap 8

Cordless Roller Shade Installation Instructions

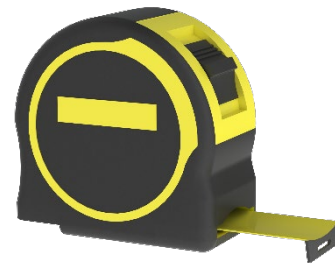
1.0 Overview

The following installation instructions are for The Custom Shade's cordless roller shades. The hardware options available are: Exposed roll and Cassette. Shades come fully assembled and ready for installation.

1.1 Tools Needed



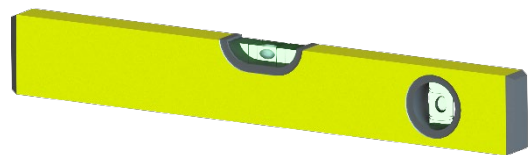
Drill with appropriate attachments



Tape Measure



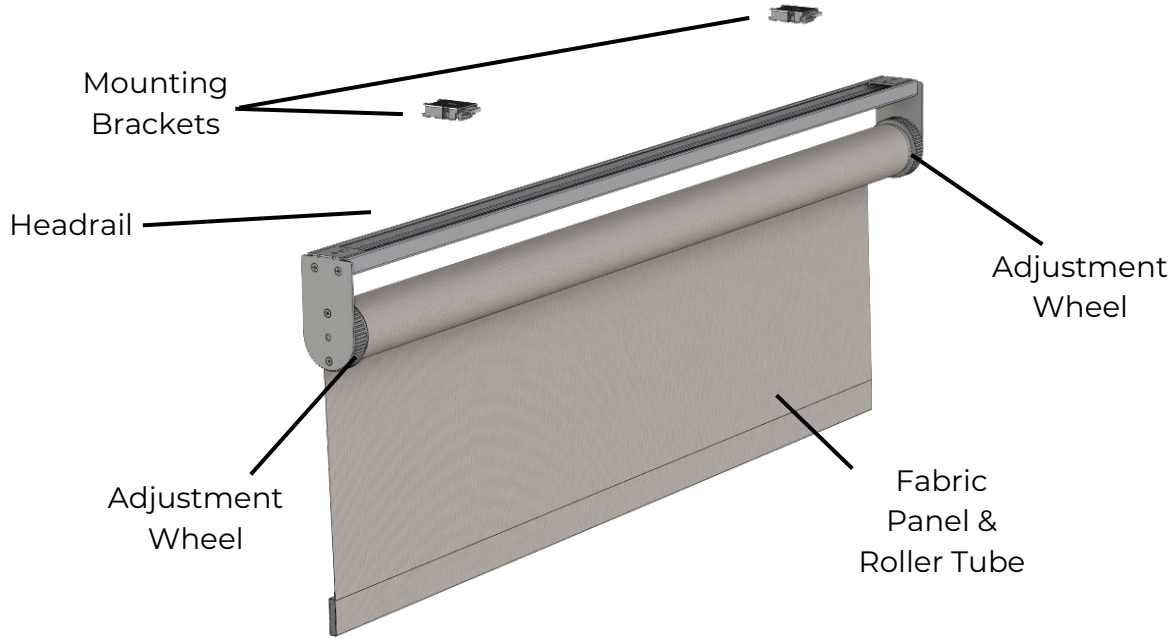
Flat Head Screwdriver



Level

Cordless Roller Shade Installation Instructions

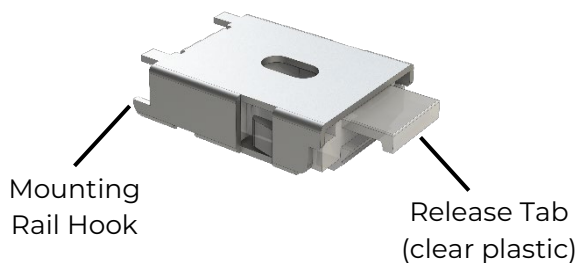
2.0 Exposed Systems



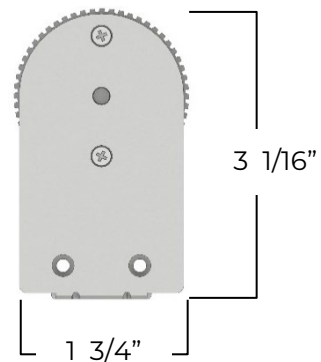
2.1 Exposed Bracket Location and Mounting

The cordless exposed shade is assembled in the headrail prior to shipment. The headrail mounting brackets can be used for both inside and outside mount applications. Mount two outer brackets roughly 2" in from the end. On wider units install center bracket(s) supplied as necessary.

Headrail Mounting Bracket



Exposed Headrail Bracket



Cordless Roller Shade Installation Instructions

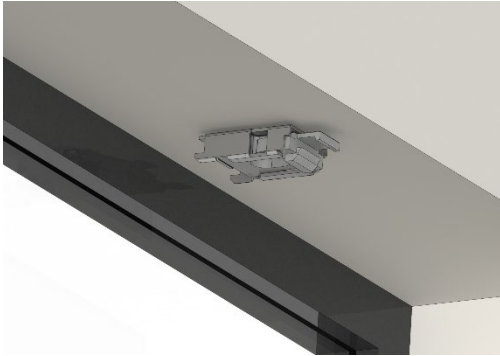
2.2 Mounting Bracket Orientation

It is important to orient the mounting brackets correctly during the installation.

For inside mount applications, the clear plastic release tab must face away from the window.

For outside mount applications, the clear plastic release tab must face downward.

Inside Mount



Outside Mount



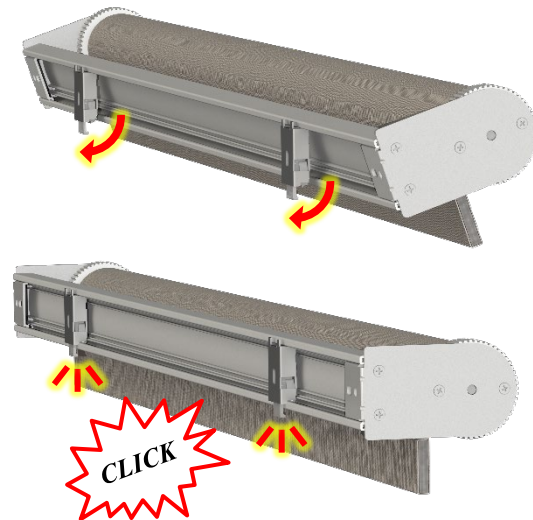
2.3 Shade Installation

Hook headrail into the mounting bracket hooks as shown. Rotate the headrail into the bracket until you hear an audible click.

Inside Mount



Outside Mount

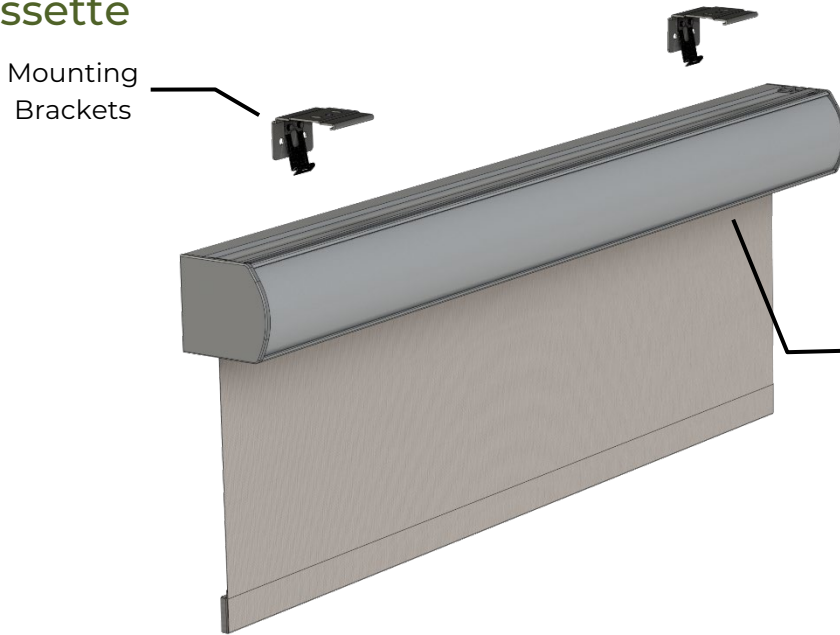


2.4 Shade Removal

Before attempting to remove the shade, make sure you are holding the shade securely. Press the clear plastic release tab on the mounting brackets and rotate the shade away from the mounting bracket. Slide the headrail off the mounting hooks and remove the shade.

Cordless Roller Shade Installation Instructions

3.0 Cassette

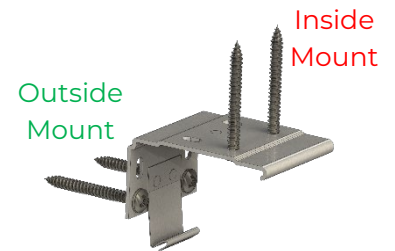


Assembled Cassette

Cassette Housing,
Plastic End Caps,
Spring Operator,
Adjustment Wheels,
Fabric Panel
&
Roller Tube

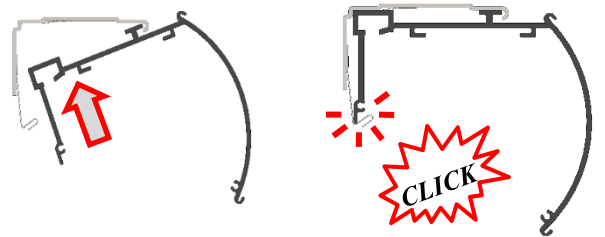
3.1 Cassette Mounting Brackets

Cassette systems are shipped fully assembled. These systems utilize mounting brackets that can be mounted for inside or outside mount. Mount two outer brackets roughly 2" in from the end. On wider units install center bracket(s) supplied.



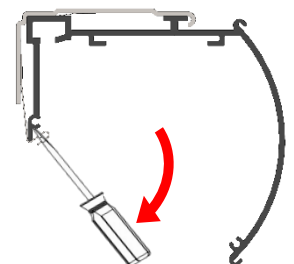
3.2 Shade Installation

Hook the top of the extrusion into the front of the mounting brackets as shown. Rotate the back bottom corner of the cassette up and snap into the brackets.



3.3 Shade Removal

To remove cassette, insert a flat head screwdriver into the mounting bracket slot, then rotate back to release the cassette.



4.0 Roll Up Speed Adjustment

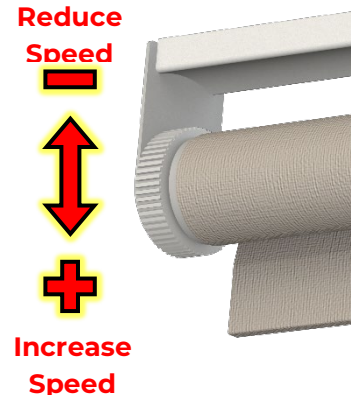
Shades are tested and roll up speed is adjusted prior to shipment, but additional adjustments may be required depending on each application.

First determine what kind of adjustment is needed. All tension adjustments are made on the *left-hand wheel*.

To **increase the speed**, rotate the wheel down.

To **reduce the speed**, rotate the wheel up.

Pull the shade down and allow it to roll up. If the shade still rolls up slow or struggles to make it to the top, repeat the process. The correct amount of tension can only be determined by trial and error.



5.0 Upper Limit Adjustment

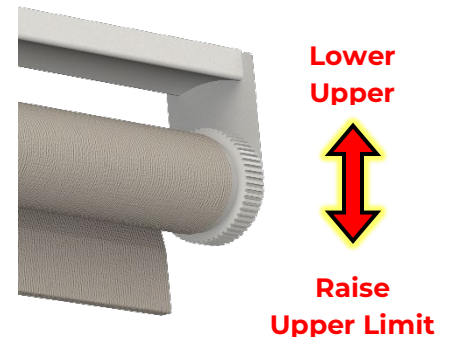
Shades are tested and the upper limit is set prior to shipment, but additional adjustments may be required depending on each application.

All upper limit adjustments are made on the right-hand wheel.

To **move the upper limit up**, rotate the wheel down.

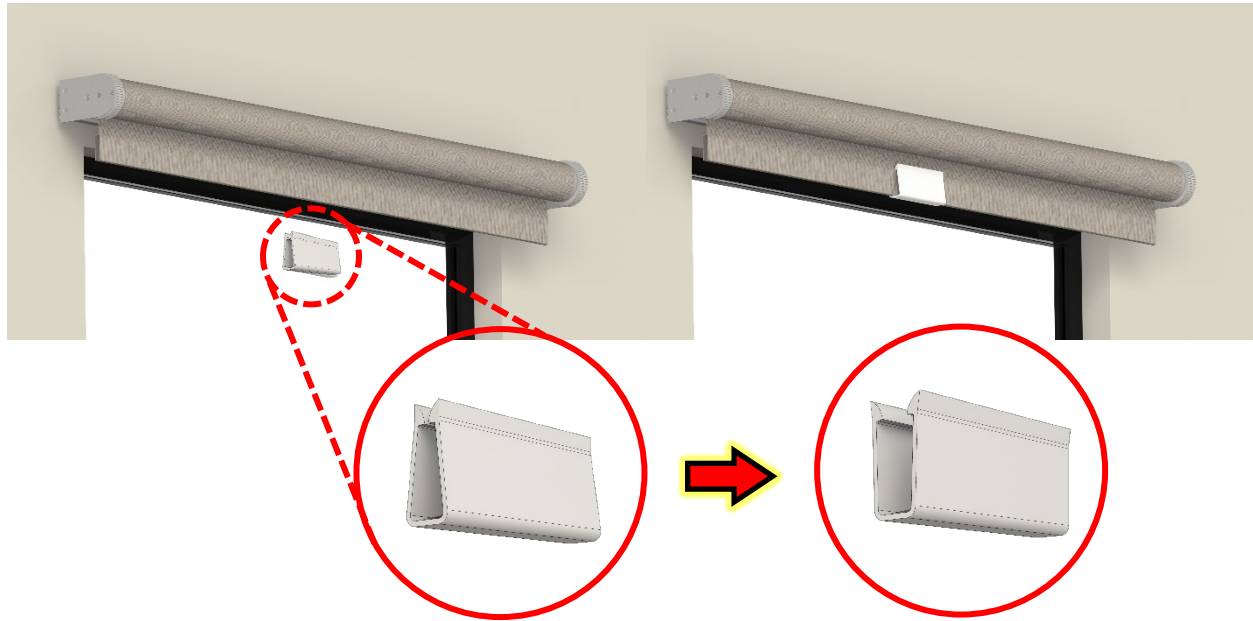
To **move the upper limit down**, rotate the wheel up.

Pull the shade down and allow it to roll up. If the limit still



6.0 Hem Bar Grip Installation

To install the hem bar grip, gently pull the grip open so it can fit over the hem bar. Slide it over the hem bar and make sure it is fully seated on the metal hem bar that is inside the fabric pocket.

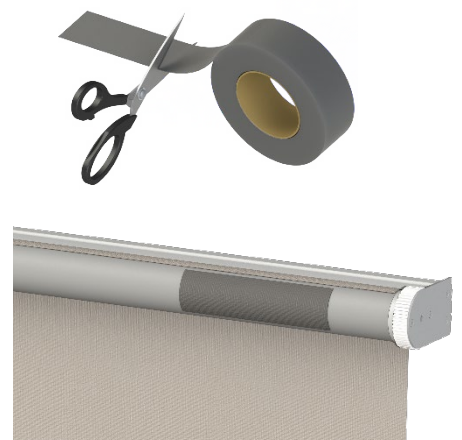


7.0 Troubleshooting

7.1 Telescoping

Fabric telescoping is excessive horizontal movement of fabric while the shade rolls up on the tube. Shades are tested and fabric telescoping is adjusted prior to shipment, but additional adjustments may be required depending on each application.

1. If fabric adjustments are required, roll the shade all the way down so the tube is exposed (this will require removal of the shade from the brackets).
2. Place a piece of masking or duct tape, 2"- 4" in length, near the edge of the tube on the side opposite of the direction the fabric is moving.
3. Operate the shade up and down a few times. If the shade still telescopes, repeat the process. The correct amount of tape can only be determined by trial and error.





Cordless Roller Shade Installation Instructions

7.2 Losing a fabric wrap

Losing a fabric wrap is when the fabric starts to hang significantly lower than the upper and lower limits that have been set. This can occur if the shade is raised too quickly or if the fabric catches on an obstruction while being lowered.

Roll the shade all the way up to the upper limit. Then take the extra fabric and wrap it around the tube in the same direction that the fabric naturally rolls. If the fabric still hangs lower than the original upper and lower limits, repeat this process until corrected.